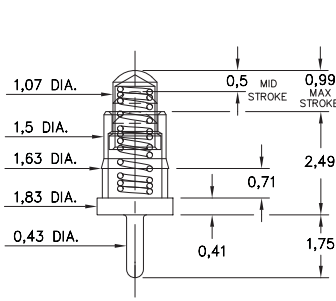


0906-0

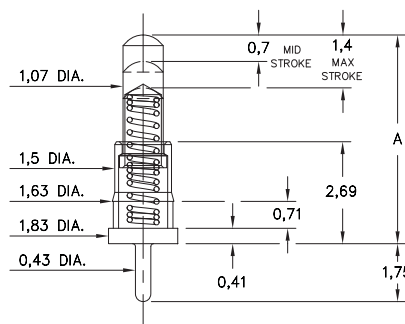


0906-0-15-20-76-14-11-0

Short Stroke

Solder mount in 0,46 min. mounting hole

0906-1⇒4



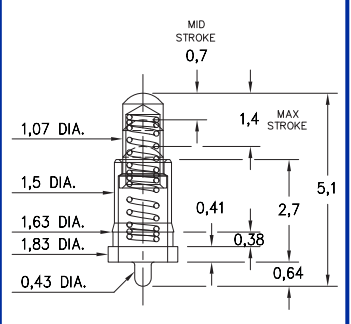
0906-X-15-20-75-14-11-0

Standard Stroke

Solder mount in 0,46 min. mounting hole

Basic Part Number	Length A
0906-1	4,5
0906-2	5,0
0906-3	5,51
0906-4	5,99

0930

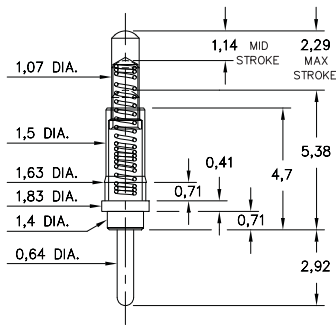


0930-0-15-20-75-14-11-0

Standard Stroke

Solder Mount in 0,46 min. mounting hole

0914

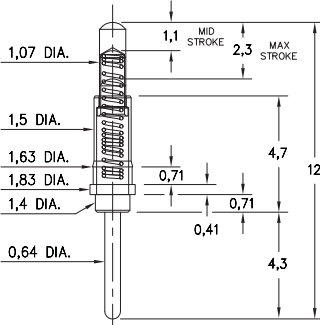


0914-0-15-20-77-14-11-0

Long Stroke

Solder mount in 0,69 min. mounting hole

0932

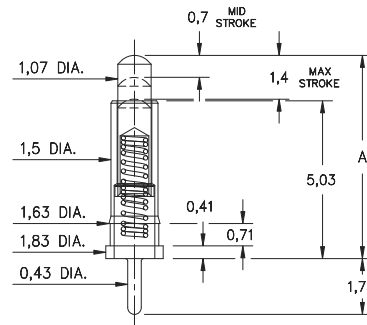


0932-0-15-20-77-14-11-0

Long Stroke

Solder Mount in 0,69 min. mounting hole

0908-0⇒9



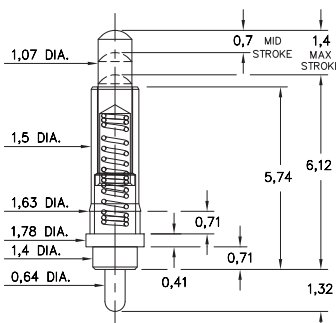
0908-X-15-20-75-14-11-0

Standard Stroke

Solder mount in 0,46 min. mounting hole

Basic Part Number	Length A
0908-0	6,48
0908-1	6,99
0908-2	7,49
0908-3	8,0
0908-4	8,51
0908-5	8,89
0908-6	9,4
0908-7	9,91
0908-8	10,41
0908-9	10,92

0901

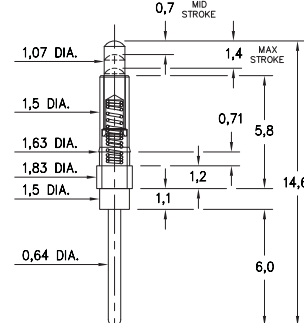


0901-0-00-00-00-00-11-0

Standard Stroke

Solder mount in 0,69 min. mounting hole

0929

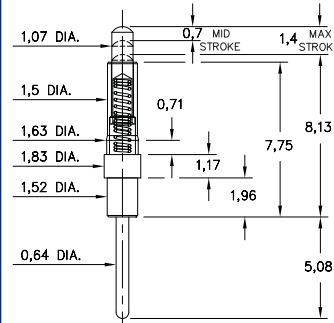


0929-0-15-20-75-14-11-0

Standard Stroke

Solder Mount in 0,69 min. mounting Hole

0922

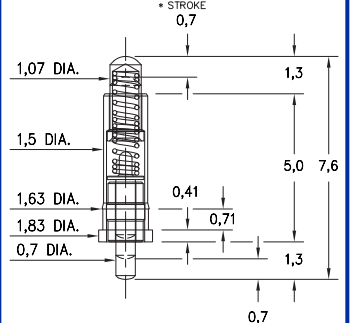


0922-0-15-20-75-14-11-0

Standard Stroke

Solder mount in 0,69 min. mounting hole

0980



0980-0-15-20-75-14-11-0

Double action, *1,4 Combined Stroke

Mount between parallel circuit boards

ORDER CODE: 09XX - X - 15 - 20 - 7X - 14 - 11 - 0

Spring Number ↗

MATERIAL SPECIFICATIONS:

- SLEEVE & PLUNGER MATERIAL:** Copper Alloy
- SPRING MATERIAL:** Beryllium Copper
- SLEEVE & PLUNGER FINISH:** 0,51 µm Gold over Nickel
- SPRING FINISH:** 0,25 µm Gold over Nickel
- DIMENSION IN INCHES:**
- TOLERANCES ON:** LENGTHS: ±0,15
DIAMETERS: ±0,05
ANGLES: ± 2°



MECHANICAL & ELECTRICAL SPECIFICATIONS:

DURABILITY: 1,000,000 cycles

CURRENT RATING: 2A continuous, 3A peak

CONTACT RESISTANCE: 20 mΩ max.

SPRING NUMBER	Mid. STROKE	Max. STROKE	FORCE @ Mid. Stroke	Initial Force (Pre-load)
75	0,7	1,4	60 g	25 g
76	0,5	0,99	60 g	25 g
77	1,14	2,29	60 g	25 g

75, 76, 77 Springs are not Interchangeable